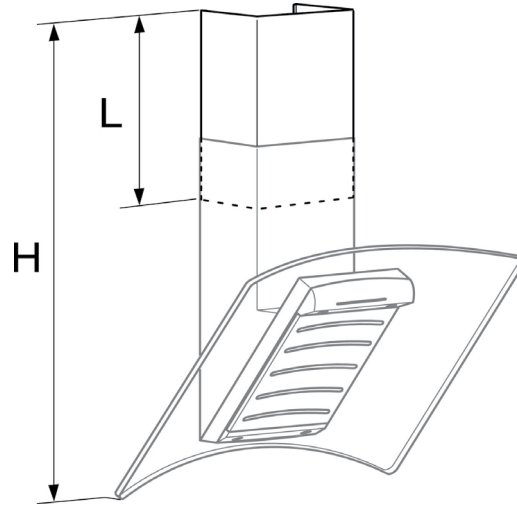


## 42 $\frac{1}{2}$ " HOOD CHIMNEY EXTENSION FOR DA 289

DATK 289-1080



# 24" Hood Chimney Extension DATK 289-1080



## DATK 289-1080:

L = 42<sup>1</sup>/<sub>2</sub>" (1080 mm)

### Standard unit height H

Air Extraction: 37<sup>7</sup>/<sub>8</sub>" - 51<sup>7</sup>/<sub>8</sub>" (960 - 1320 mm)

### Height H with chimney extension Kit:

Air Extraction: 65<sup>3</sup>/<sub>16</sub>" - 79<sup>5</sup>/<sub>16</sub>" (1655 - 2015 mm)